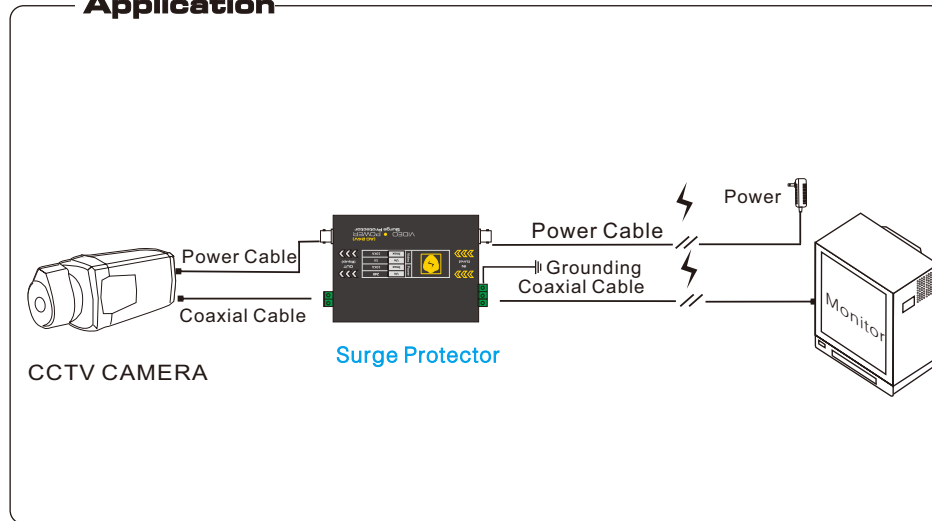


Power and video 2 in 1 Surge Protector

The product is a video and power surge protector device designed according to the standard of GB/T18802.21-2004/IEC61643-21:200. The device features multi-level protection、high capacity for through-flow、low limiting voltage、quick reaction time、less insertion loss. It adapts to overvoltage protection for security video signal and power, protecting the device from the damage of induced overvoltage, switching overvoltage and static discharge. It's widely used in security monitoring system, environment monitoring system.

Application



Features

- Standard: GB/T18802.21-2004/IEC61643-21:2000;
- Protection: Baseband composite video signal(Bandwidth more than 10MHz)、12~24 AC DC power;
- Features: Multifunction multilevel overvoltage protection, large max discharge current, low limiting voltage, quick reacting time, low insertion loss;
- Grounding Mode: Extension Line to ground;
- Design: Clear Logo, recognizable, aluminum shell, delicate size, easy installation.

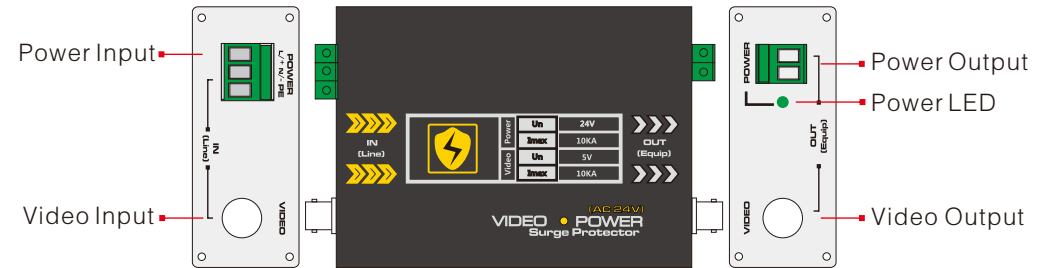


Notice

Please make sure the connection direction is correct.

Board Diagram

Power and video Surge Protector



Installation

Please check the following item before installation. If it's missing, please contact the dealer

- Surge Protector 1 set
- User Manual 1 set

Installation Steps

- 1) Before inserting the protector into the system, please make sure the grounding grid reach the specification;
- 2) please make sure the connection is stable;
- 3) Please make sure the grounding cable of the surge protector is as short as possible.

Notice:

- 1) Please make sure the connection is correct, otherwise it will cause the damage of the surge protector.
- 2) Please make sure to check the plug if the consumption is increasing. you can re-connect it or replace the surge protector
- 3) Please don't unpack the component personally.

Specification

	Item	Description
Video	Working voltage(Un)	12V
	Nominal discharge current(In)	3KA
	Maximum discharge current(I _{max})	5KA
	Protection level(U _p)	≤40V
	Rate	30Mbps
	Response time	1ns
	Insertion loss	≤0.5dB
	Connector	BNC male
	Rated load current	DC500mA
Power	Working voltage(Un)	24V
	Nominal discharge current(In)	5KA
	Maximum discharge current(I _{max})	10KA
	Protection level(U _p)	100V
	Response time	25ns
Environmental	Working temperature	-40°C ~ 85°C
	Storage temperature	-40°C ~ 75°C
	Humidity(non-condensing)	0~95%
Mechanical	Weight	100g
	Dimension(L×W×H)	100mm×60mm×38mm
	Outer shell	Aluminum

Specification change will not be noticed

Problem Examination

Inspect surge protector

Using multimeter “Ω” measuring input and output wire line resistance is 0Ω; If ,resistance value is too much ,please replace for a new one.

Using multimeter “Ω” measuring wire line resistance to ground wire(yellow green cable), over 400kΩ . If it resistance value is too low, such as 0Ω , please replace for a new one.